

clarion



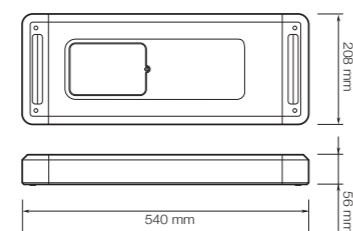
From background music to full-fledged mobile DVD theatre, Clarion power amplifier will make a spectacular difference in the sound quality you hear.

So, go ahead and immerse yourself with sound that is pure pleasure to the ear. Clarion's amplifiers gives you all you need and more.

## HX-SERIES 6 CHANNEL AMPLIFIER

### ADP6000

- Full frequency response with low distortion and exceptional signal-to-noise ratio performance.
- Advanced circuitry design provides bridgeable outputs for use in a variety of applications.
- Protection circuits for overheating and speaker shorts.
- Aluminum heat sink for efficient heat dissipation.



FEATURES & SPECIFICATIONS	ADP4000	ADP6000
6 Ch Output power (RMS) @ 14.4 VDC 1% THD		
• 6 Channels 6 Ch x 4 Ω	-	70 W x 4 + 75 W x 2
• 6 Channels 6 Ch x 2 Ω	-	115 W x 4 + 130 W x 2
• 6 Channels 4 Ch x 2 Ω + 2 Ch x 1 Ω	-	100 W x 4 + 200 W x 2
• 5 Channels 5 Ch x 2 Ω	-	100 W x 4 + 350 W x 1
4 Ch Output power (RMS) @ 14.4 VDC 1% THD		
• 4 Channels 2 Ch x 4 Ω + 2 Ch x 4 Ω	130 W x 2 + 135 W x 2	-
• 4 Channels 2 Ch x 2 Ω + 2 Ch x 2 Ω	200 W x 2 + 215 W x 2	-
• 3 Channels 2 Ch x 4 Ω + 1 Ch x 4 Ω	110 W x 2 + 460 W	-
• 3 Channels 2 Ch x 4 Ω + 1 Ch x 2 Ω	100 W x 2 + 700 W	-
• 3 Channels 2 Ch x 2 Ω + 1 Ch x 4 Ω	170 W x 2 + 430 W	-
Inputs/Outputs/Filters		
OUT MODE	-	5/6 Ch - 3/4 Ch
IN A Ch	PRE/Speaker	PRE/Speaker
IN B Ch	PRE/Speaker	PRE/Speaker
IN C Ch	PRE/Speaker	PRE/Speaker
OUT (Full)	PRE	PRE
A Ch Filter	BYPASS/HI-PASS [50 Hz - 5 kHz] (12 dB/Oct.)	BYPASS/HI-PASS [50 Hz - 5 kHz] (12 dB/Oct.)
B Ch Filter	BYPASS/HI-PASS/LO-PASS adjustable [50 Hz - 5 kHz] (12/24 Mono)dB/Oct.)	BYPASS/HI-PASS [50 Hz - 1 kHz]/LO-PASS [250 Hz - 5 kHz]/BAND-PASS (12 dB/Oct.)
C Ch Filter	-	BYPASS/LO-PASS [50 Hz - 1 kHz] (12/24 Mono)dB/Oct.)
Subsonic	OFF/20/30 Hz (24 dB/Oct.) Active with B Ch. LO-PASS L+R	OFF/20/30 Hz (24 dB/Oct.) Active with C Ch. LO-PASS L+R
Sub remote volume control	-5 - +5 dB Active with B Ch. LO-PASS 24 dB/Oct. L+R	-5 - +5 dB Active with C Ch. LO-PASS 24 dB/Oct. L+R
Size		
D x L x H	208 x 540 x 56 mm	208 x 540 x 56 mm
Weight (Kg)	6.86	6.86

clarion

## HX-SERIES AMPLIFIERS & SPEAKERS

Amplifier and Speaker system interfaces sound to your senses. So the quality of your components will directly impact the quality of the sound you experience. From highs to lows, Clarion amplifiers and speakers will deliver the sound to your satisfaction.

# Born for HX-D2



clarion

### Clarion (Malaysia) Sdn. Bhd.

Phase 3, Free Industrial Zone,  
11900 Bayan Lepas, Penang, Malaysia.  
Tel: +60-4-614 8400  
Fax: +60-4-643 9108 / +60-4-643 8763  
<http://www.clarion.com.my>

clarion

## 2011 HX-Series Amplifiers

ADVANCE AUDIO TECHNOLOGIES TO BRING EXCEPTIONAL SOUND TO YOUR CAR

Clarion's HX-Series amplifiers supply the power to drive a wide variety of in-car entertainment systems, whether it is ultimate quality, extreme look or system expansion and flexibility.



## HX-SERIES 4 CHANNEL AMPLIFIER

### ADP4000

- Full frequency response with low distortion and exceptional signal-to-noise ratio performance.
- Advanced circuitry design provides bridgeable outputs for use in a variety of applications.
- Protection circuits for overheating and speaker shorts.
- Aluminum heat sink for efficient heat dissipation.

FEATURES & SPECIFICATIONS	ADP4000	ADP6000
Power supply		
Voltage	11 ~ 15 VDC	11 ~ 15 VDC
Minimum idling current	2.2 A	1.9 A
Idling current when off	0.02 mA	0.02 mA
Consumption @ 14.4 VDC (MAX musical power)	75 A	65 A
Remote IN Voltage	7 ~ 15 VDC (1.3 mA)	7 ~ 15 VDC (1.3 mA)
Remote OUT Voltage	12 VDC (50 mA)	12 VDC (50 mA)
Internal fuse	3 x 30 A	3 x 30 A
Amplifier stage		
Total Harmonic Distortion (1 kHz @ 4 Ω)	0.07%	0.05%
Frequency Response (-3 dB)	4 Hz ~ 100 kHz	4 Hz ~ 100 kHz
S/N ratio (A-weighted @ 1 VRMS)	>105 dB	>105 dB
Damping factor (1 kHz @ 4 Ω)	>120	>120
Input sensitivity (PRE IN)	0.3 - 5 V	0.3 - 5 V
Input sensitivity (Speaker IN)	1.4 - 24 V	1.4 - 24 V
Input impedance (PRE IN)	15 kΩ	15 kΩ
Input impedance (Speaker IN)	5 kΩ	5 kΩ
Load impedance (MIN)		
• 6 Channels 4 x 2 Ω + 2 x 1 Ω		4 x 2 Ω + 2 x 1 Ω
• 5 Channels 5 x 2 Ω		5 x 2 Ω
• 4 Channels 2 x 4 Ω + 2 x 1 Ω	2 x 2 Ω + 2 x 1 Ω	2 x 4 Ω + 2 x 1 Ω
• 3 Channels 2 x 4 Ω + 1 x 2 Ω	2 x 2 Ω + 1 x 2 Ω	2 x 4 Ω + 1 x 2 Ω
Nominal output power (RMS) PN @ 12 VDC 0.3% THD	125 W x 2 + 130 W x 2	65 W x 4 + 70 W x 2



# Clarion

## 2011 HX-Series Speakers

SUPERIOR ACOUSTIC PERFORMANCE FOR TODAY'S CARS.

Clarion

Clarion's high-performance HX-series speakers assure that you and your audience will be listening to the highest quality audio, whether you're listening to a CD, your iPod® or watching a DVD. Enjoy the entire spectrum of sound and experience complete in-car entertainment.

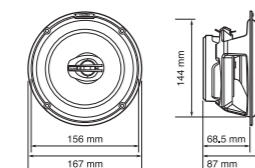


Speaker performance has a direct and undeniable effect on the sound you ultimately hear. Clarion HX-Series speakers offers a broad selection, so you can choose the type of design, power handling capabilities and acoustic characteristics that best suits your taste and automobile.

### 6 1/2" 2-WAY COAXIAL SPEAKER

#### SRD1700R

- Soft iron plates for high heat dissipation, part of the symmetrical magnetic flux motor.
- Oversized magnet: provides outstanding energy for maximum control.
- Pure copper voice coil wound on a specific Kapton® former: for excellent thermal and mechanical capability.
- Composite fiber cone: for extended bandwidth and smooth response.
- 20mm Neodymium soft dome tweeter.
- High frequency contour: adjustable, for perfect off-axis dispersion and frequency response.



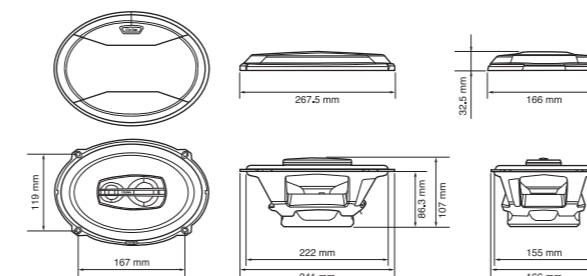
#### FEATURES & SPECIFICATIONS

	SRD1700R
Reproduction system	2-way coaxial
Woofer: Damped Mesh Fiber woofer with high density flux ferrite magnet (mm)	165
Tweeter: Tetolon Fiber™ dome tweeter with Neodymium magnet (mm)	20
Sensitivity dB SPL	92
Music Peak Power (W)	200
Continuous Power (W)	100
Crossover cut-off frequency (Hz)	4,000 (6 dB/Oct.)
Frequency response (Hz)	50 ~ 22,000

### 6x9" 3-WAY COAXIAL SPEAKER

#### SRD6900R

- Soft iron plates for high heat dissipation, part of the symmetrical magnetic flux motor.
- Oversized magnet: provides outstanding energy for maximum control.
- Pure copper voice coil wound on a specific Kapton® former: for excellent thermal and mechanical capability.
- Composite fiber cone: for extended bandwidth and smooth response.
- 28mm Neodymium soft dome tweeter.
- 20mm Neodymium soft dome super tweeter.



#### FEATURES & SPECIFICATIONS

	SRD6900R
Reproduction system	3-way coaxial
Woofer: Damped Mesh Fiber woofer with high density flux ferrite magnet (inches)	6 x 9"
Tweeter: Tetolon Fiber™ dome tweeter with Neodymium magnet (mm)	28
Super Tweeter diameter (mm)	20
Sensitivity @ 1W/1M (dB SPL)	94
Music Peak Power (W)	260
Continuous Power (W)	130
Crossover cut-off frequencies (Hz)	4,000/10,000 (6 dB/Oct.)
Frequency response (Hz)	32 ~ 23,000

www.clarion.com.my 5

### 6 1/2" 2-WAY COMPONENT SPEAKER SYSTEM

#### SRD1700S

##### Tweeter

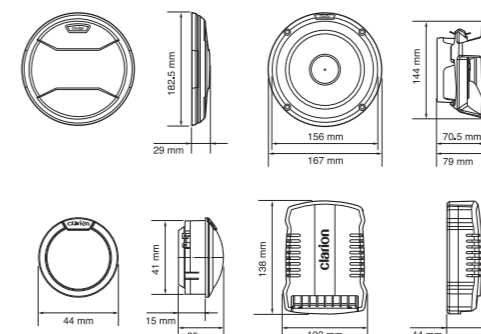
- Soft dome tweeter.
- 25mm ferrofluid-cooled mobile voice coil.
- High energy Neodymium magnet.

##### Woofer

- Oversized magnet: provides outstanding energy for maximum control.
- Pure Copper-Clad Aluminum Wire voice coil wound on a specific Kapton® former: excellent thermal and mechanical capability.
- Composite fiber cone: for extended bandwidth and smooth response.

##### Crossover

- High grade selected components, lossless signal path.
- Configuration flexibility: tweeter level control allows to tune-up the frequency response of the system.
- Designed to match and compensate the vehicle's acoustics, with a smooth and extended off-axis response.



#### FEATURES & SPECIFICATIONS

	SRD1700S
Reproduction system	2-way system
Woofer: Damped Mesh Fiber woofer with high density flux ferrite magnet (mm)	165
Tweeter: Tetolon Fiber™ dome tweeter with Neodymium magnet (mm)	25
Sensitivity dB SPL	93.5
Music Peak Power (W)	300
Continuous Power (W)	150
Crossover cut off frequency (Hz)	2,500 (12/12 dB/Oct.)
Frequency response (Hz)	40 ~ 22,000

www.clarion.com.my 6

### 6 1/2" 3-WAY COMPONENT SPEAKER SYSTEM

#### SRD1701S

##### Tweeter

- Soft dome tweeter.
- 25mm ferrofluid-cooled mobile voice coil.
- High energy Neodymium magnet.

##### Midrange

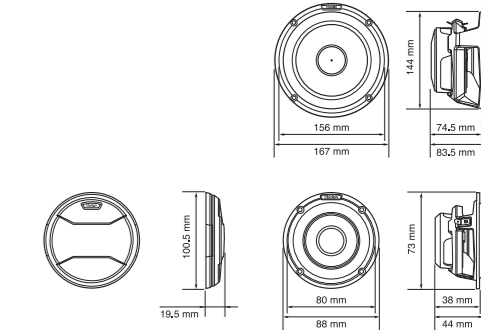
- Neodymium magnet: for the greatest energy in the smallest space.
- Four layer Copper-Clad Aluminum Wire voice coil wound on a specific Kapton® former: for excellent thermal and mechanical capacity.
- Composite fiber cone: for extended bandwidth and smooth response.

##### Woofer

- Oversized magnet: provides outstanding energy for maximum control.
- Pure Copper-Clad Aluminum Wire voice coil wound on a specific Kapton® former: excellent thermal and mechanical capability.
- Cellulose pulp cone: for extended bandwidth and smooth response.

##### Crossover

- High grade selected components, lossless signal path.
- Configuration flexibility: tweeter and midrange level control allows to tune-up the frequency response of the system.
- Designed to match and compensate the vehicle's acoustics, with a smooth and extended off-axis response.



#### FEATURES & SPECIFICATIONS

	SRD1701S
Reproduction system	3-way system
Woofer: Non-pressed paper with Cotton Fibre woofer, high density flux ferrite magnet (mm)	165
Midrange (mm)	70
Tweeter: Tetolon Fiber™ dome tweeter with Neodymium magnet (mm)	25
Sensitivity @ 1W/1M (dB SPL)	92
Music Peak Power (W)	300
Continuous Power (W)	150
Crossover cut-off frequencies (Hz)	500/4,500 (6/6 dB/Oct., 6/12 dB/Oct.)
Frequency response (Hz)	40 ~ 22,000

www.clarion.com.my 7

www.clarion.com.my